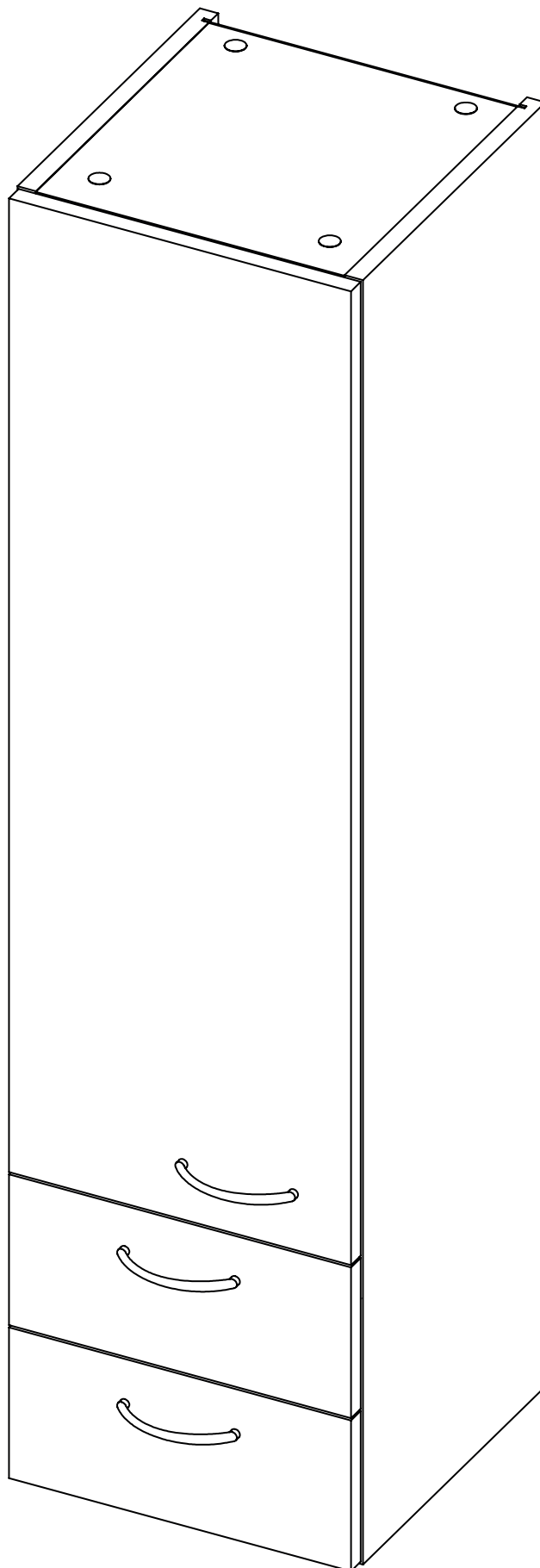
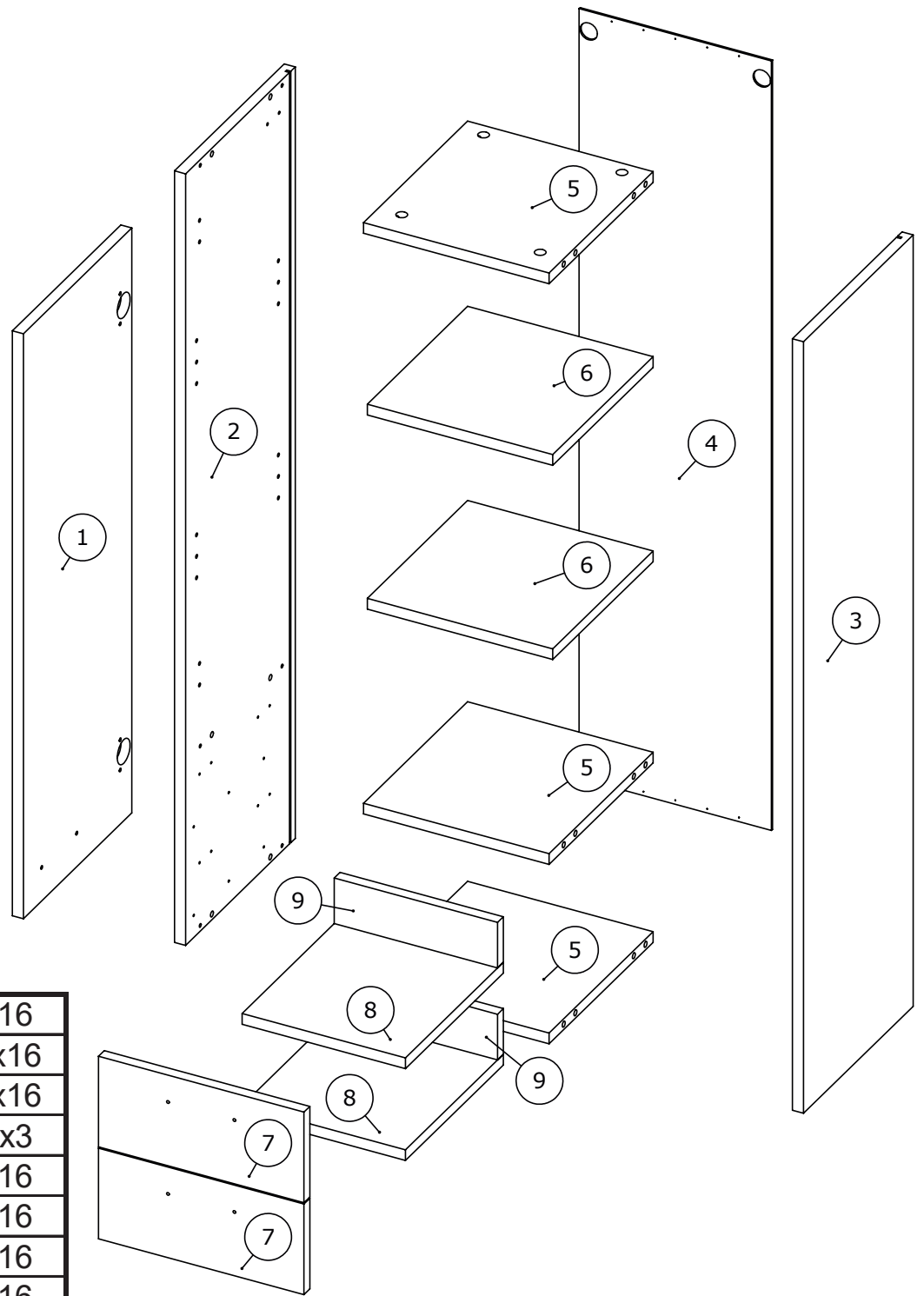
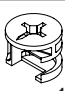










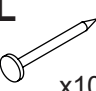





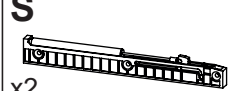


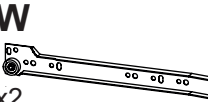
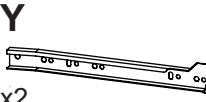


Viki C - levá  
[www.olsen-spa.cz](http://www.olsen-spa.cz)

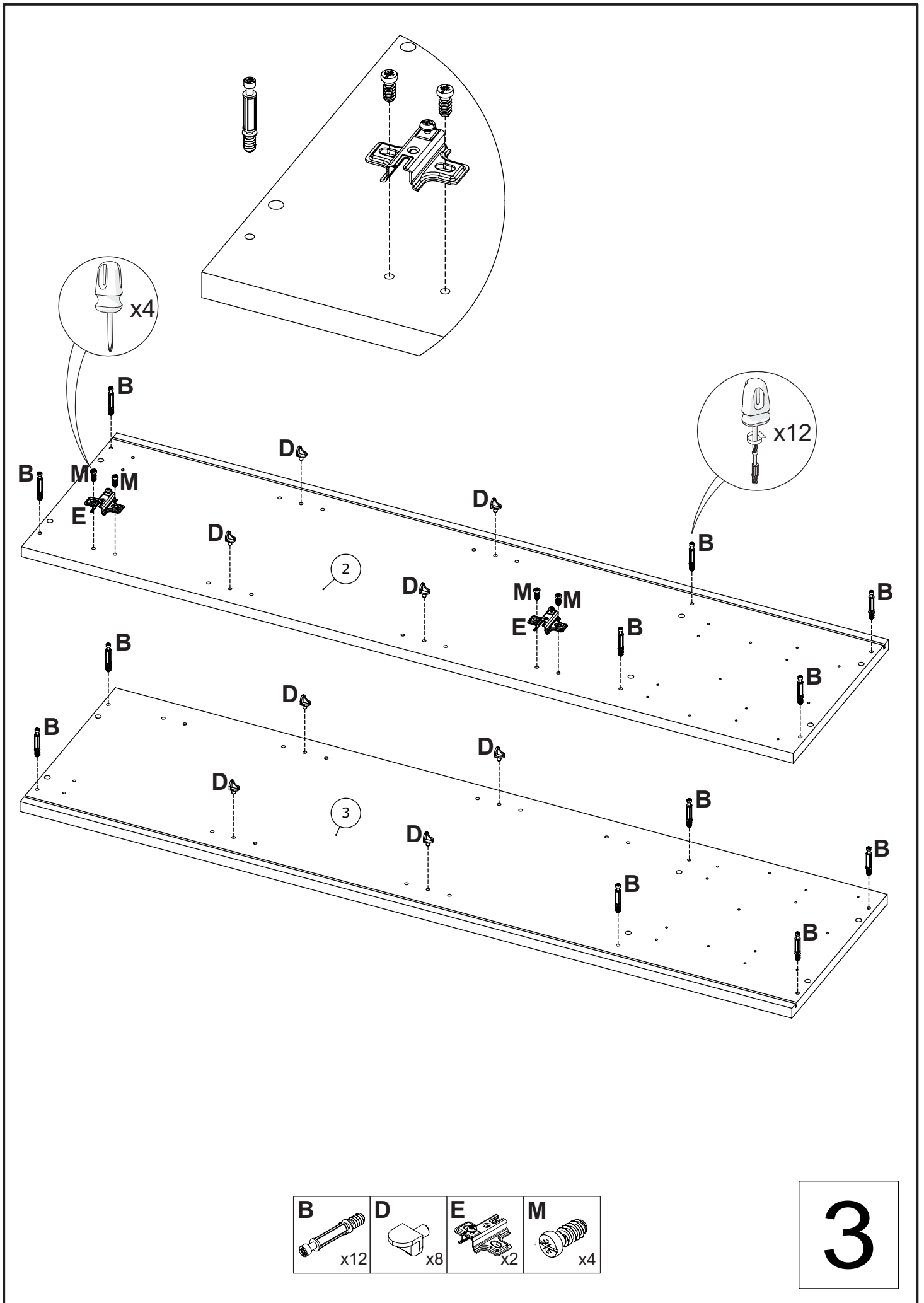




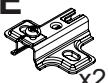



1	x1	872x297x16
2	x1	1150x300x16
3	x1	1150x300x16
4	x1	1147x278x3
5	x3	284x268x16
6	x2	274x268x16
7	x2	135x297x16
8	x2	268x237x16
9	x2	237x68x16

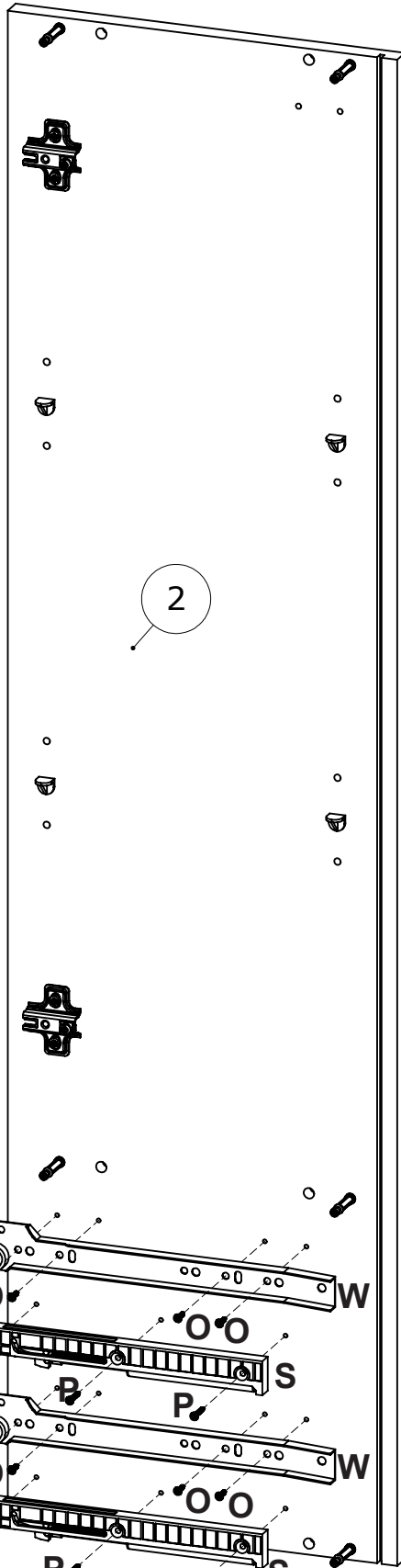
<b>A</b>  x12	<b>B</b>  x12	<b>C</b>  x12	<b>D</b>  x8	<b>E</b>  x2	<b>F</b>  x2	<b>G</b>  x2	<b>H</b>  3.5x30 x4	<b>I</b>  x3	<b>J</b>  x6
<b>K</b>  3.5x13 x4	<b>L</b>  x10	<b>M</b>  x4	<b>N</b>  x12	<b>O</b>  3x13 x44	<b>P</b>  3.5x20 x6	<b>R</b>  x2	<b>S</b>  x2		
<b>T</b>  x2	<b>U</b>  x2	<b>W</b>  x2	<b>Y</b>  x2						

2

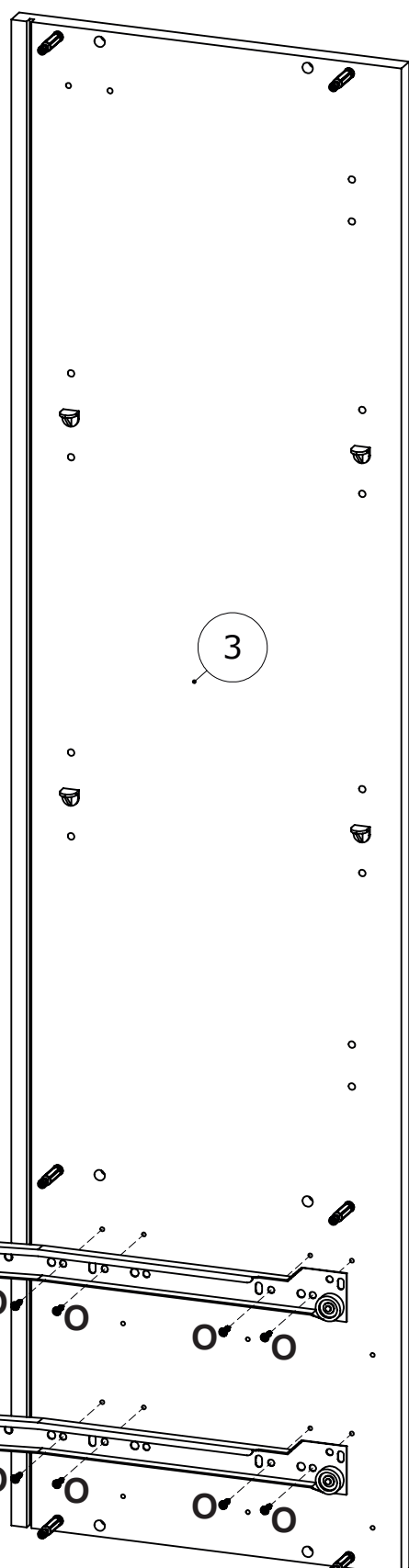


<b>B</b>  x12	<b>D</b>  x8	<b>E</b>  x2	<b>M</b>  x4
--	---	---	--

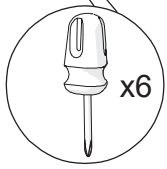
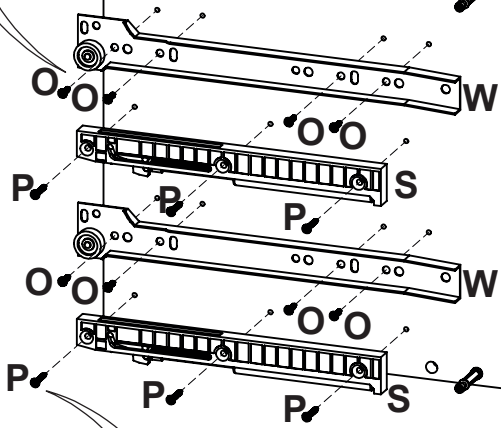
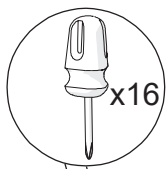
3



2

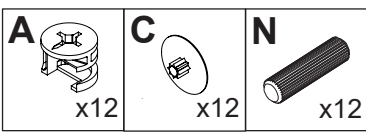
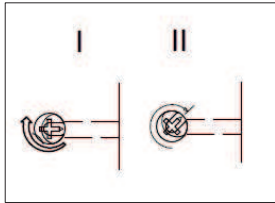
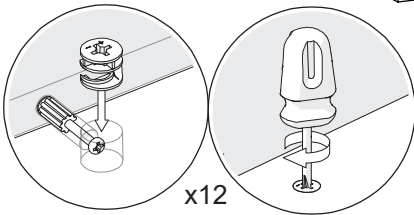
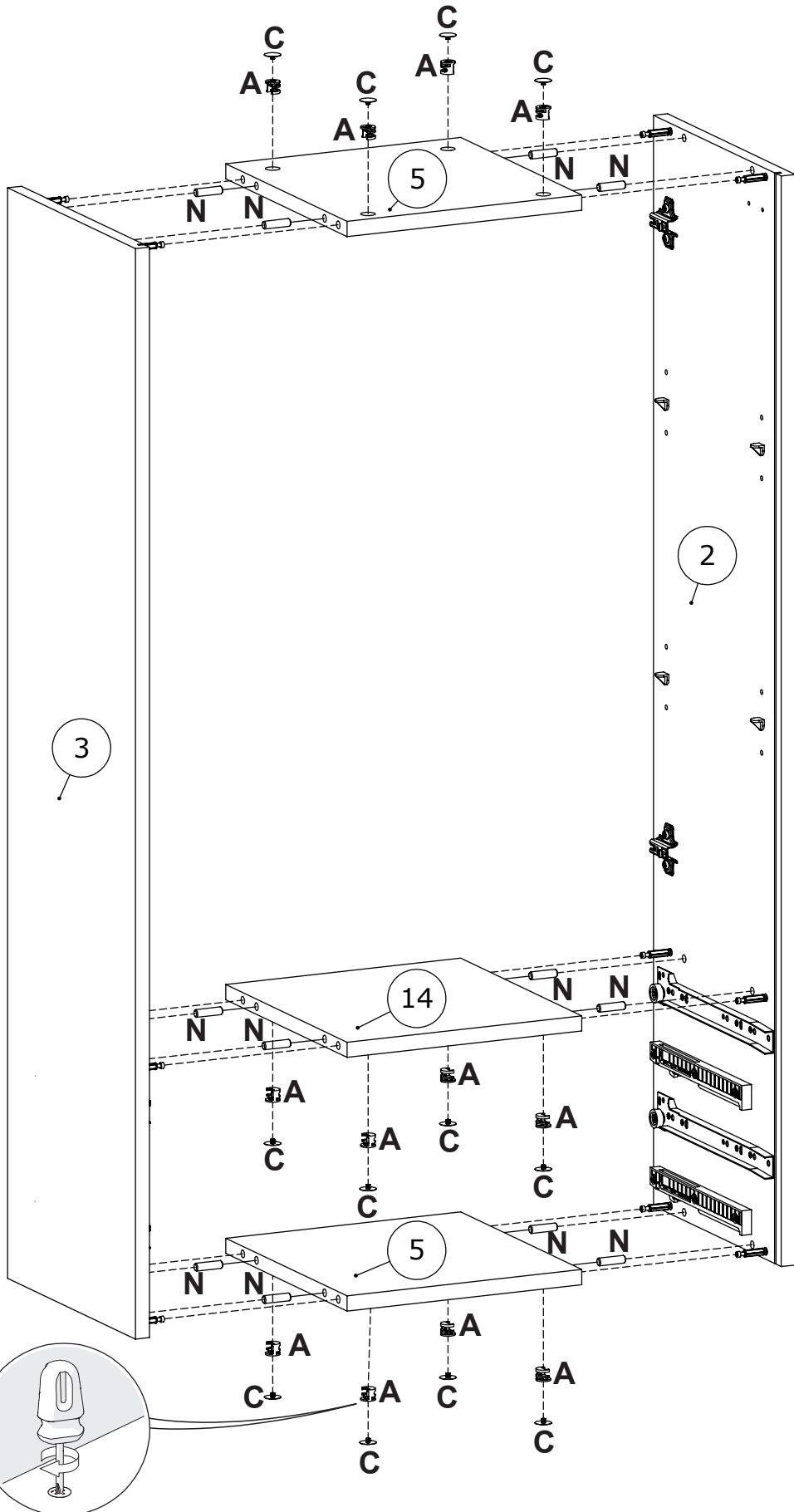


3

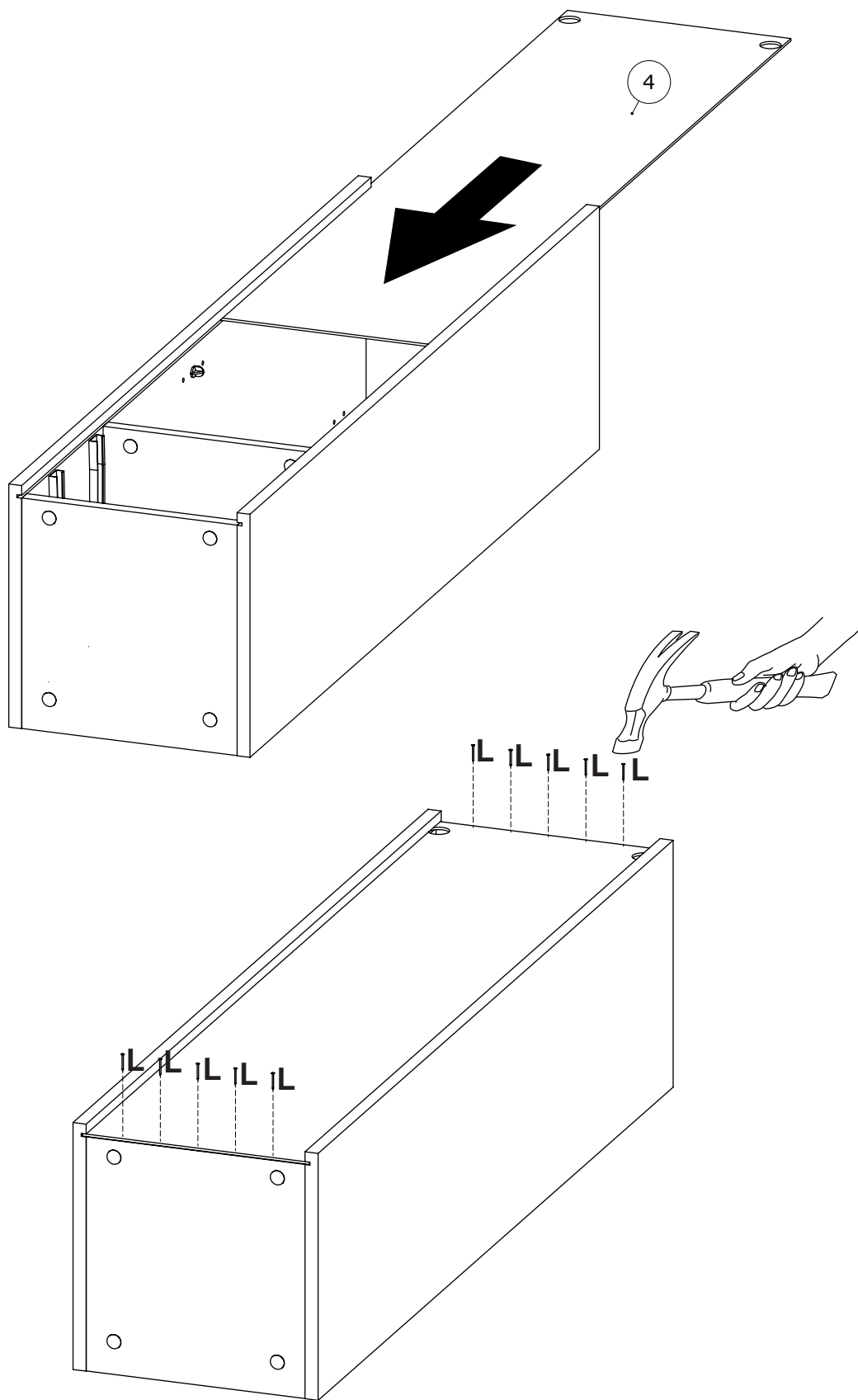


4

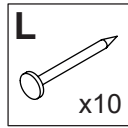
<p><b>O</b></p> <p>x16</p>	<p><b>P</b></p> <p>x6</p>	<p><b>S</b></p> <p>x2</p>	<p><b>W</b></p> <p>x2</p>	<p><b>Y</b></p> <p>x2</p>
----------------------------	---------------------------	---------------------------	---------------------------	---------------------------

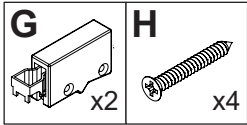
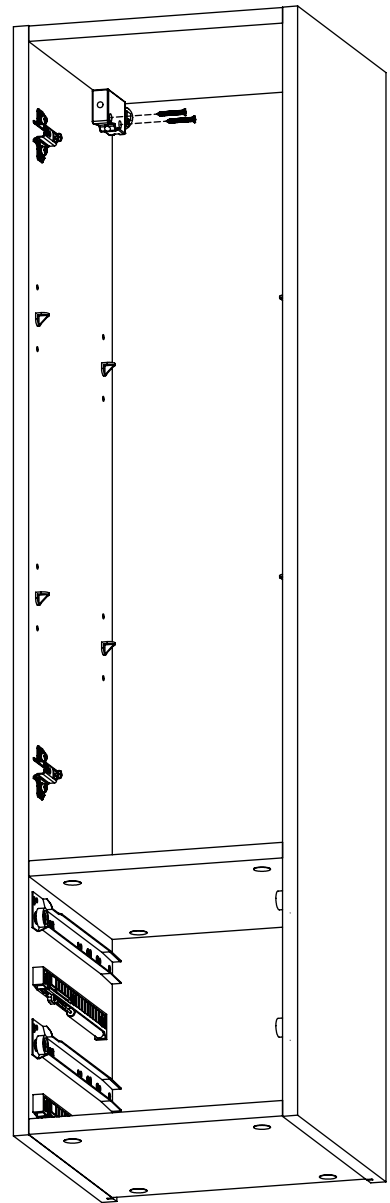
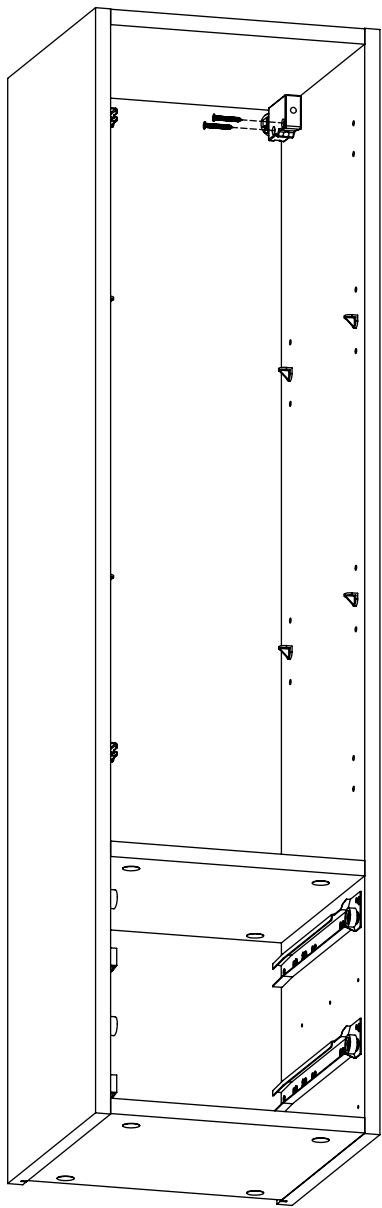
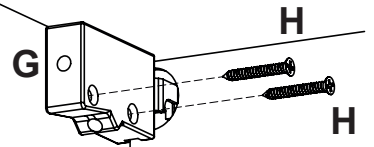
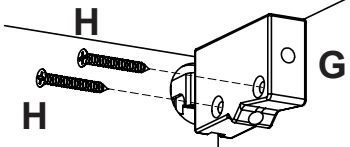
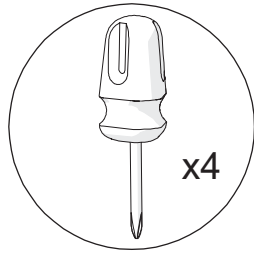


5

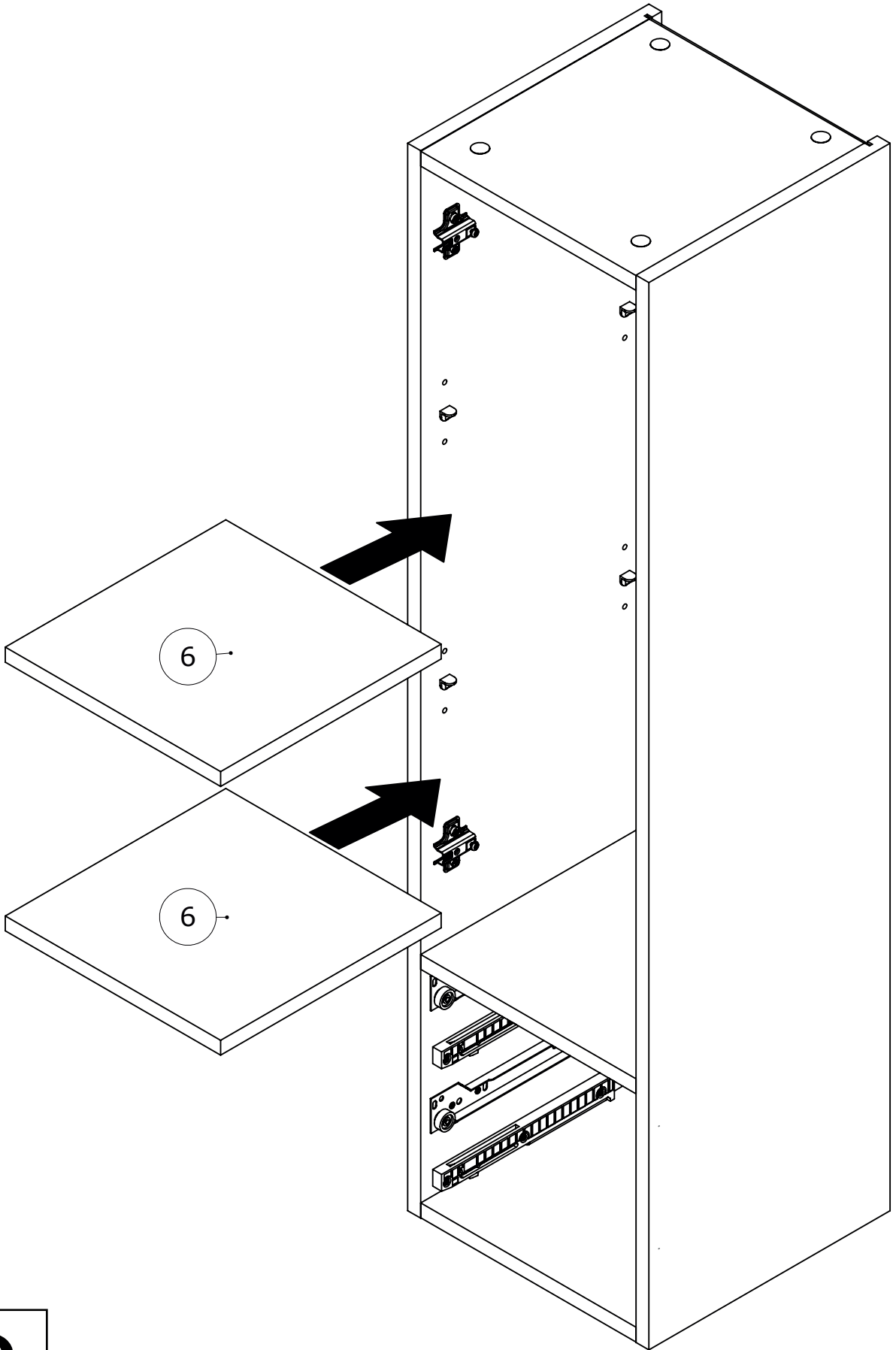


6



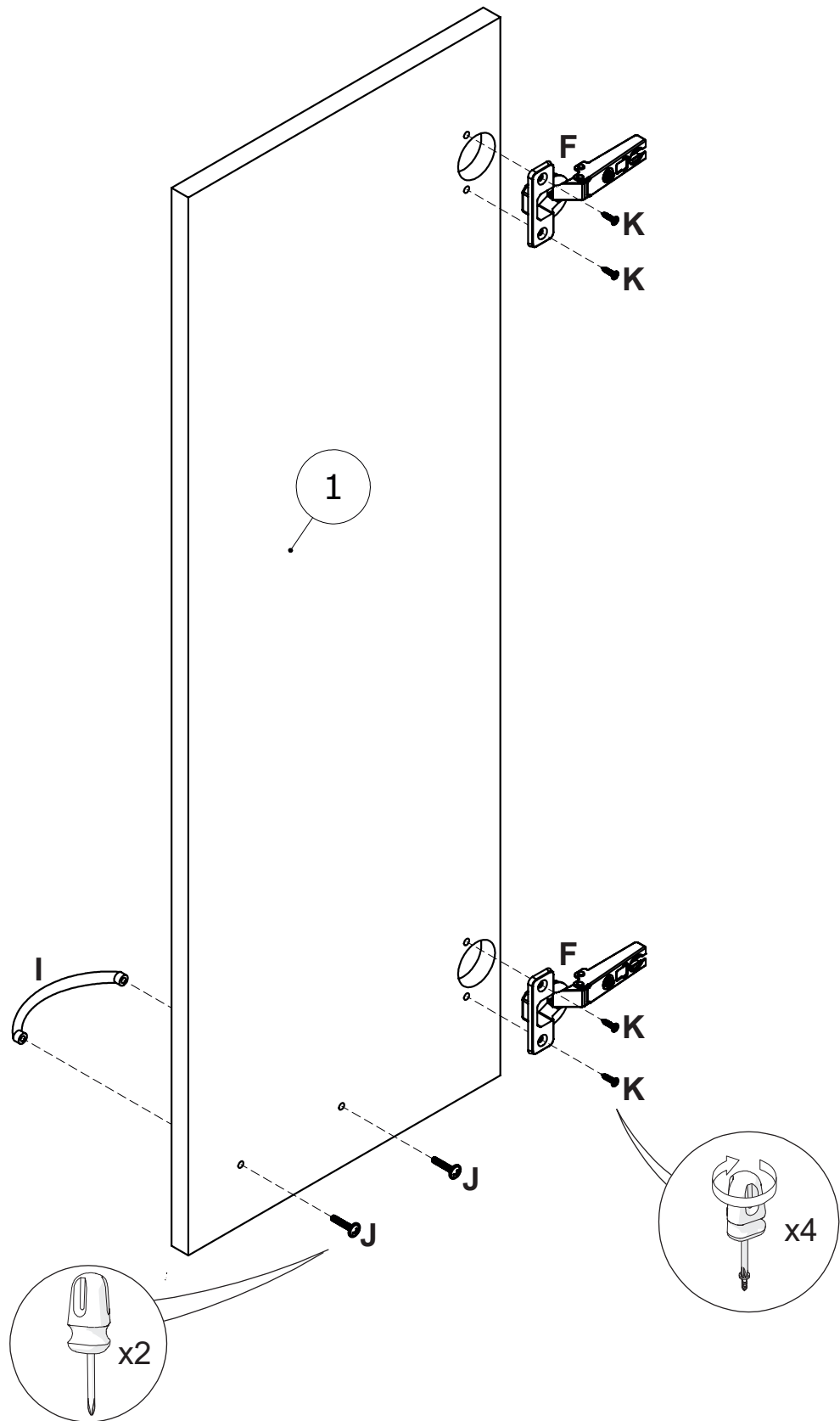


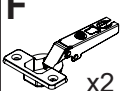



7

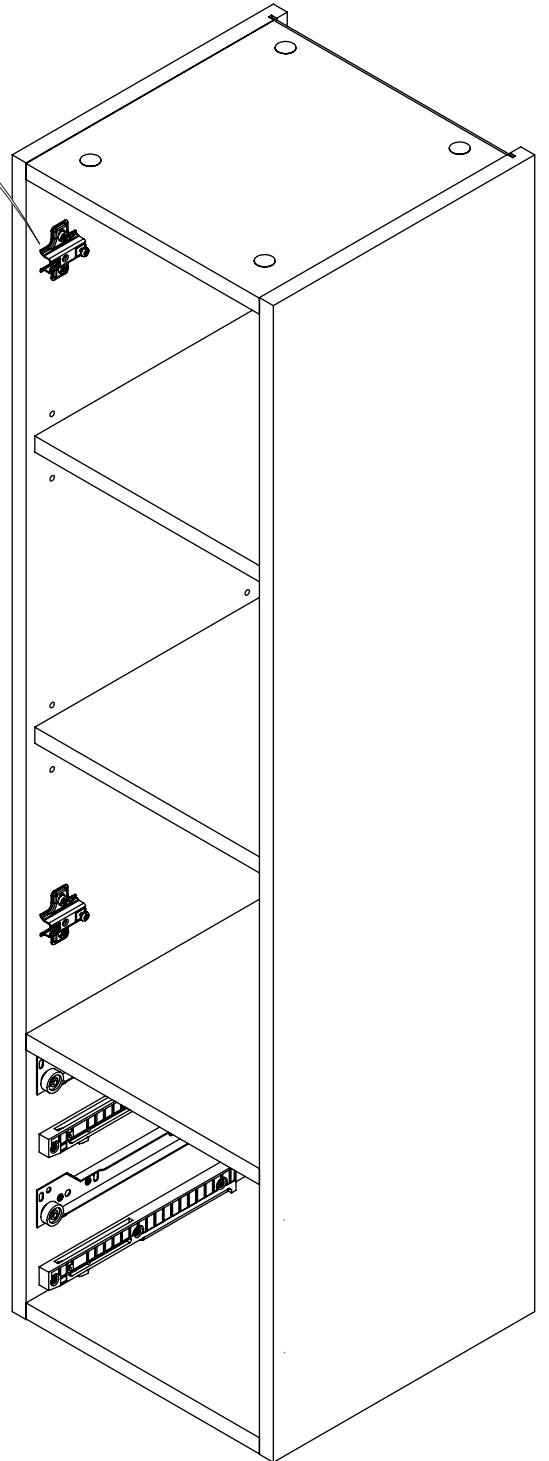
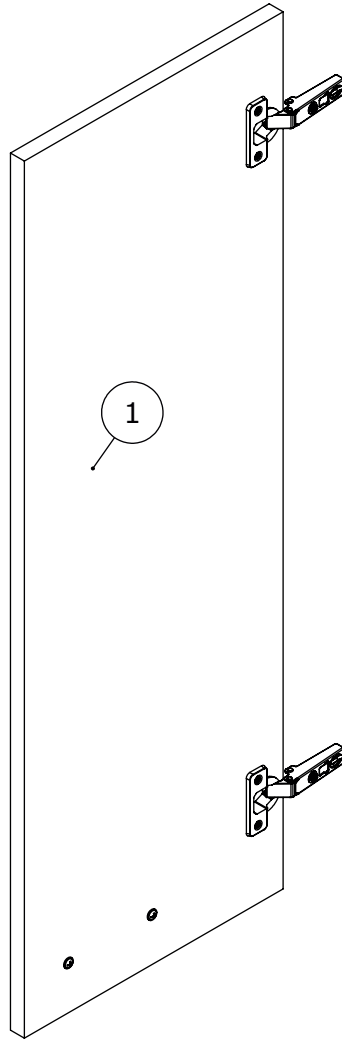
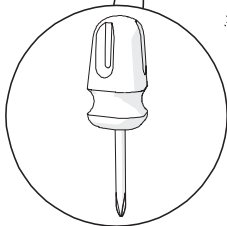
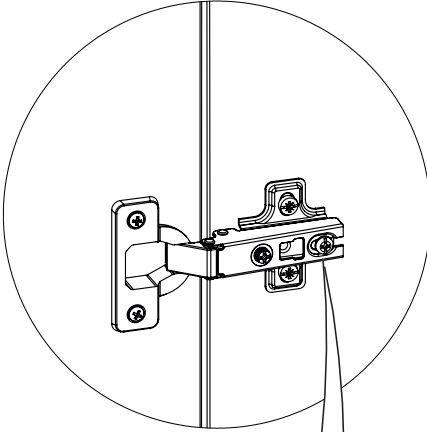
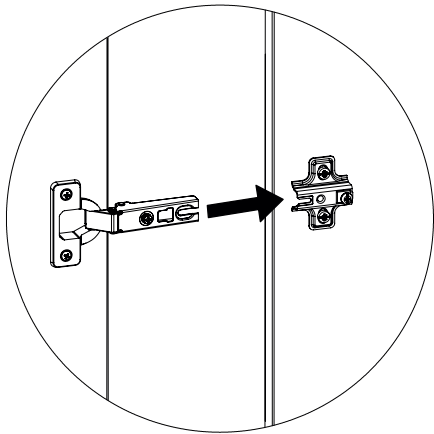
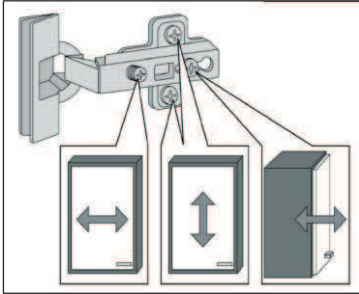
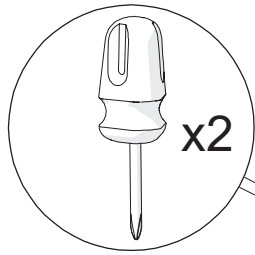


8



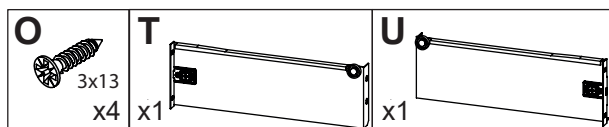
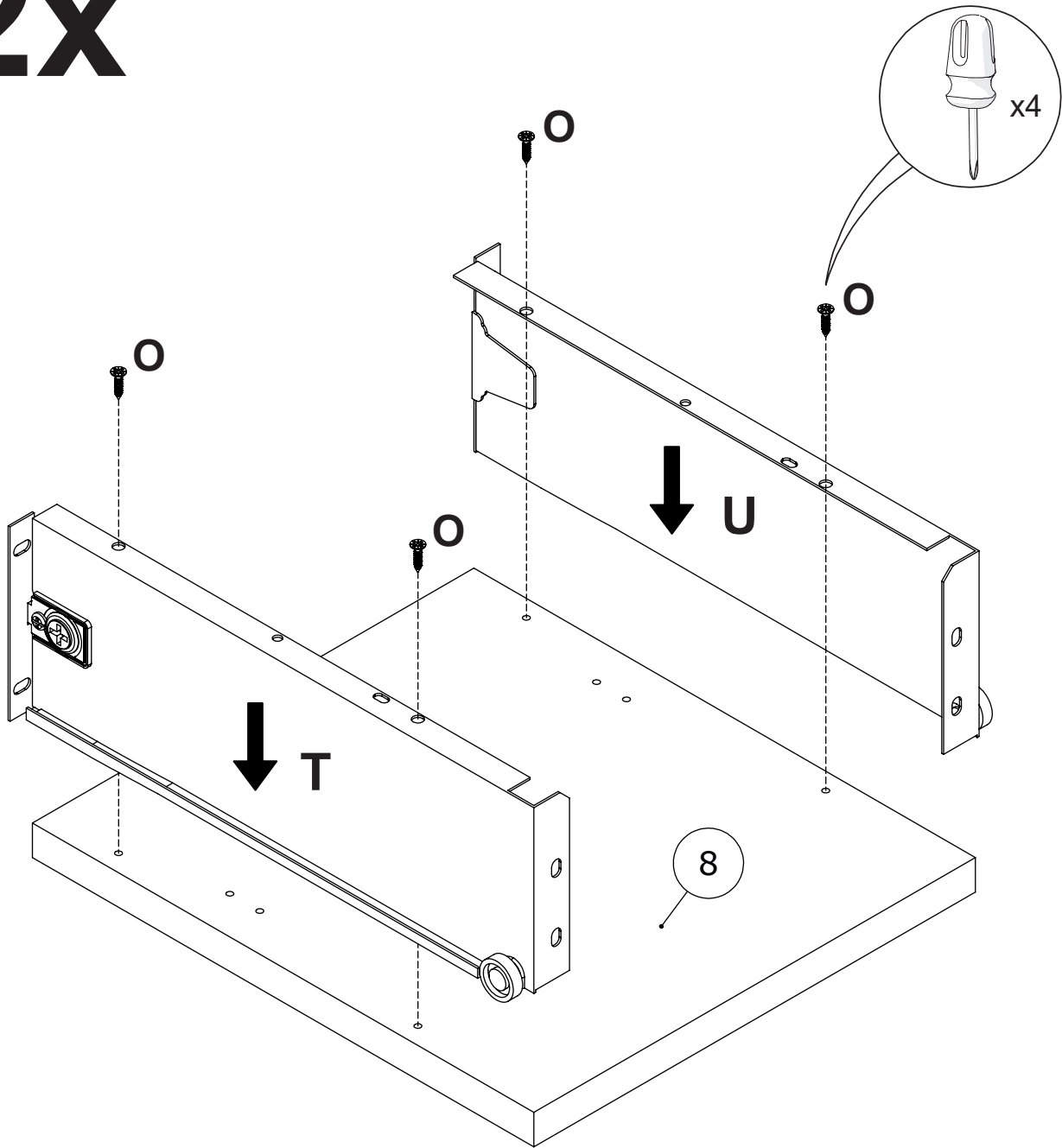


<b>F</b>  x2	<b>I</b>  x1	<b>J</b>  x2	<b>K</b>  3.5x13 x4
---	---	---	---

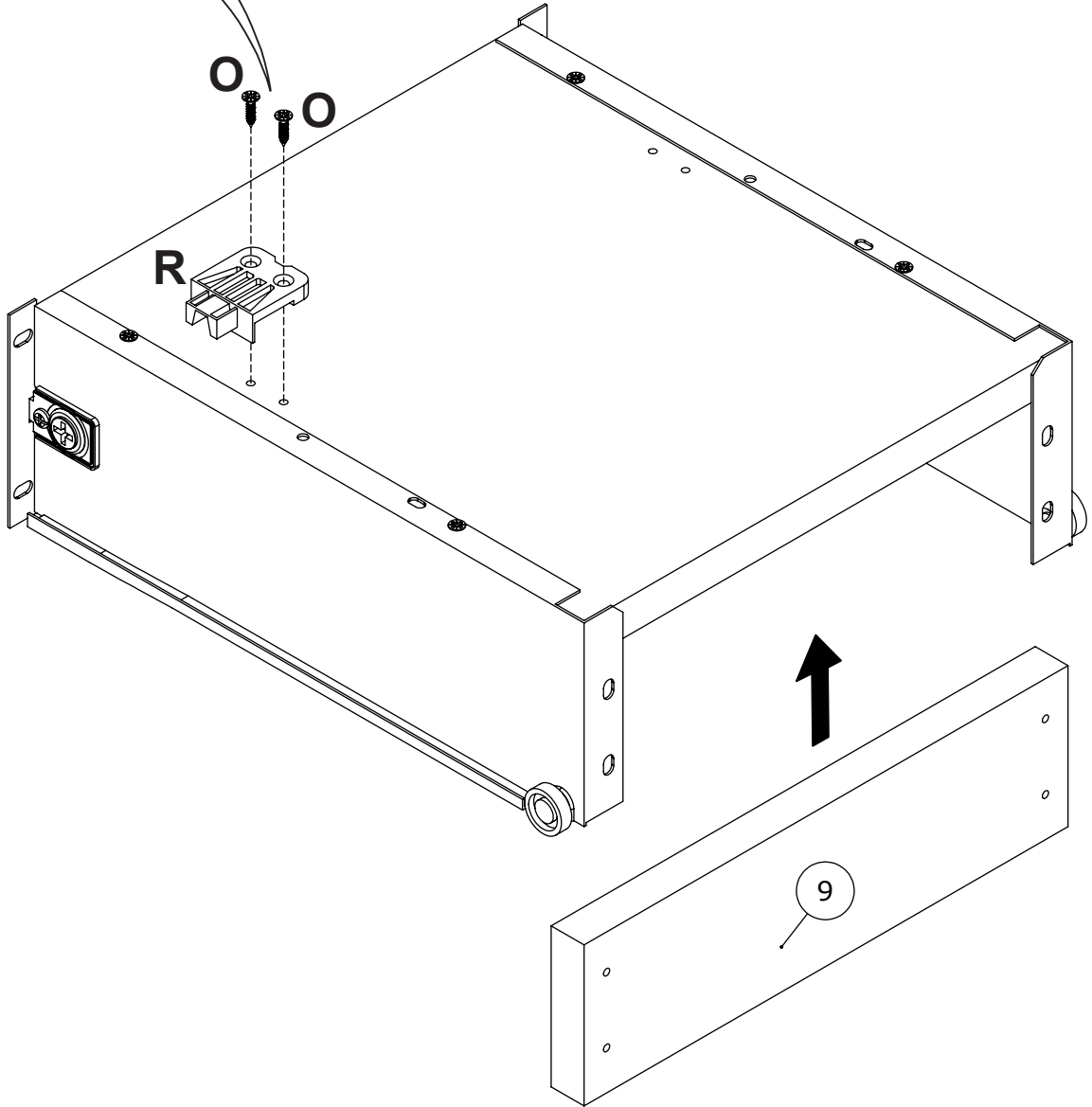
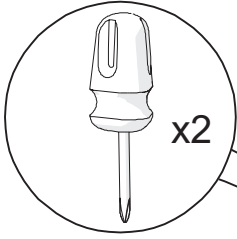


10

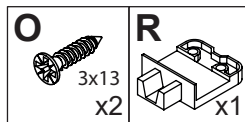
# 2x



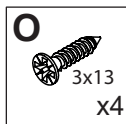
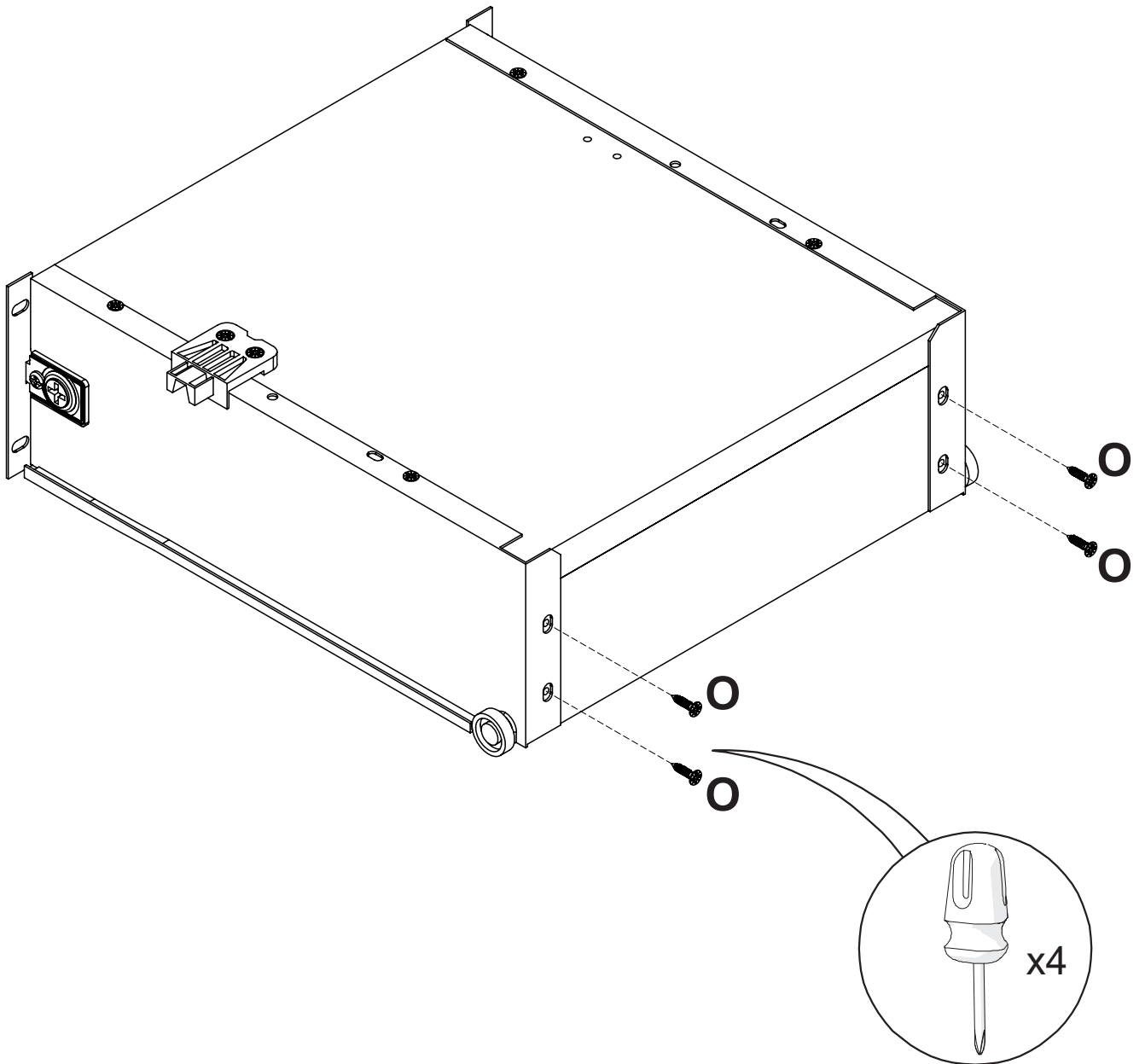
2x



12

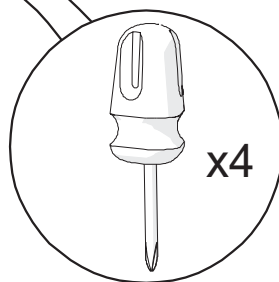
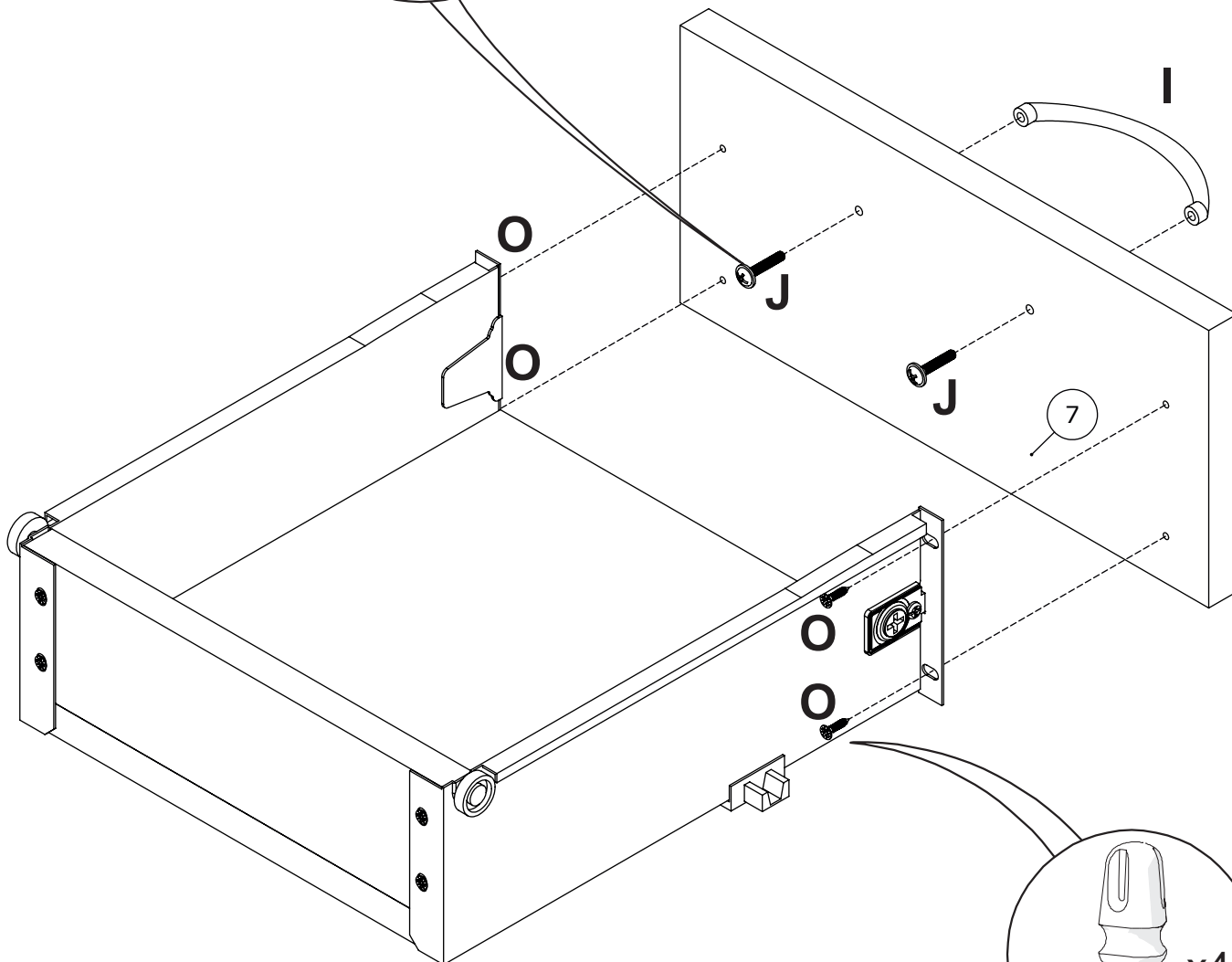
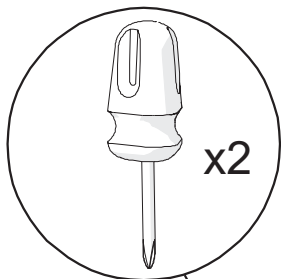
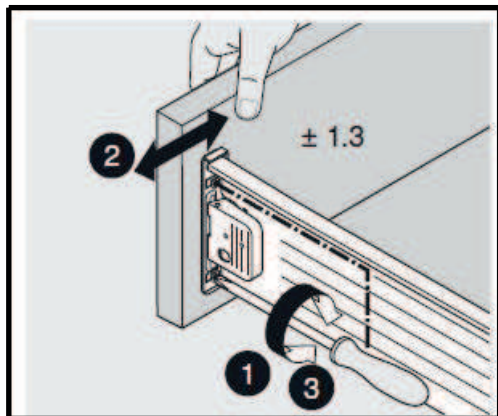


# 2x

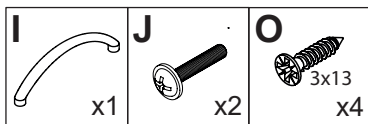


# 13

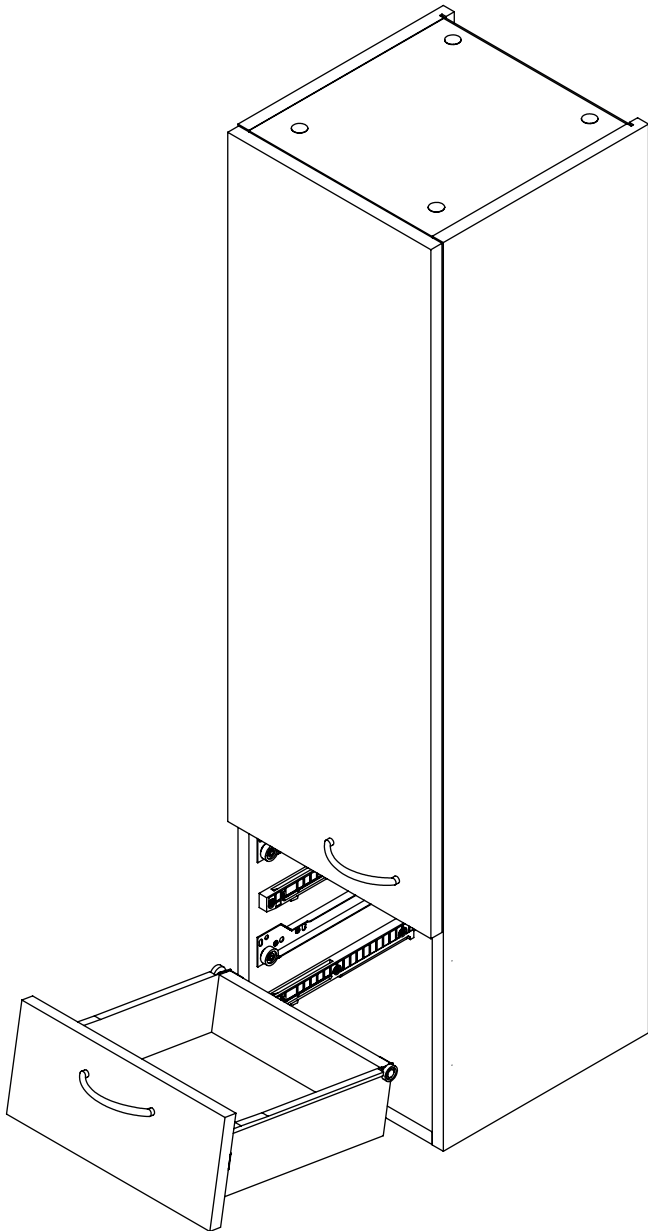
# 2x



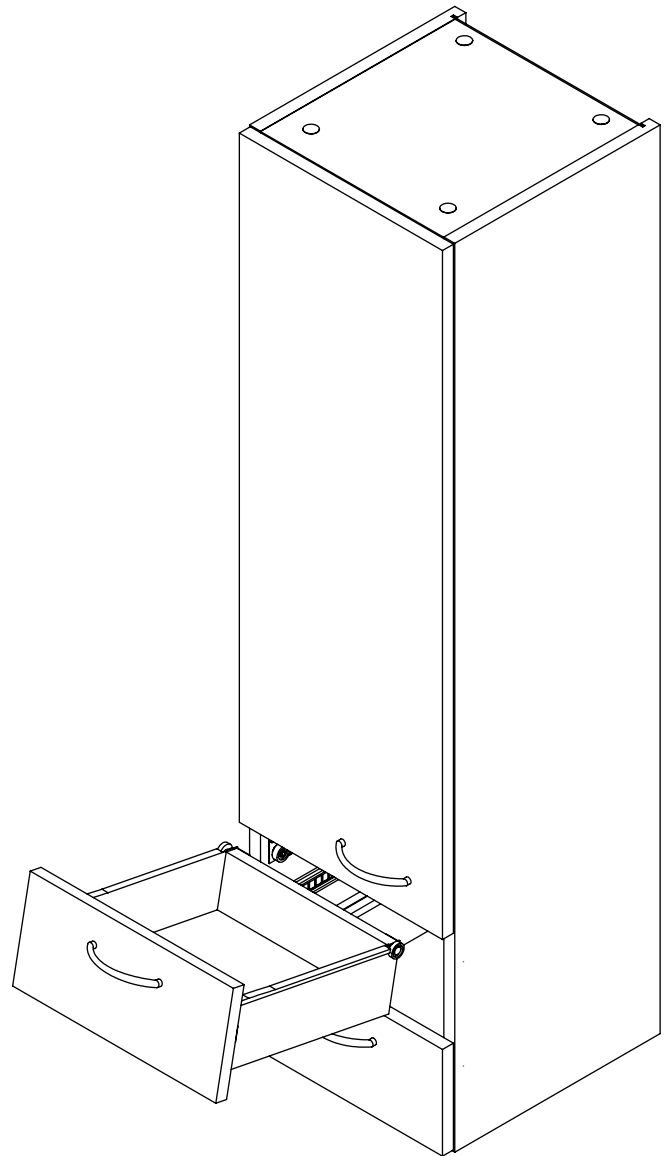
# 14



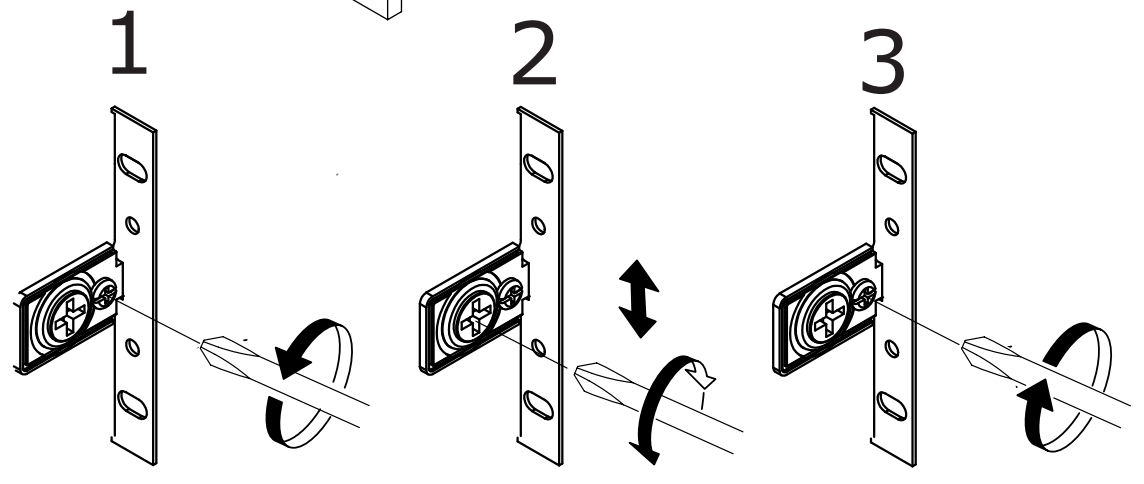
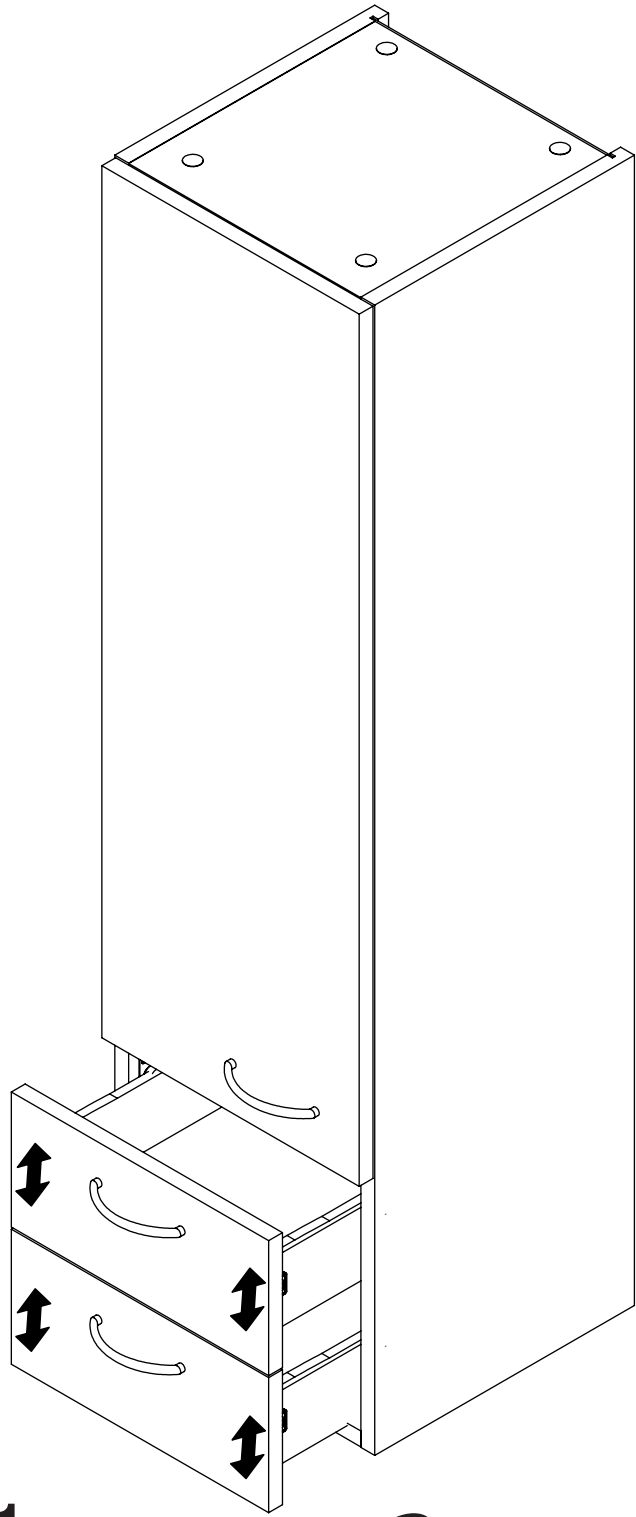
# 1



# 2

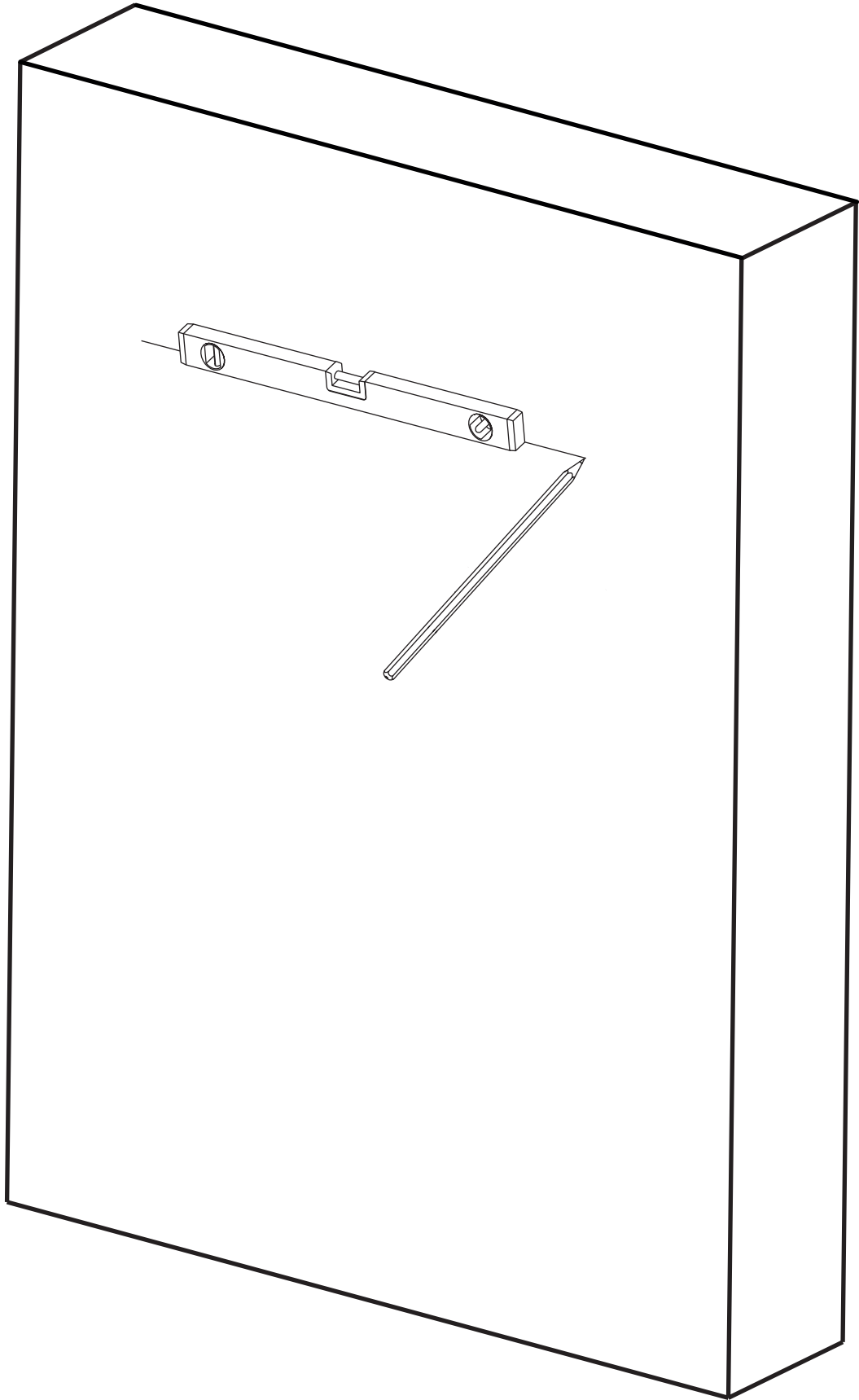


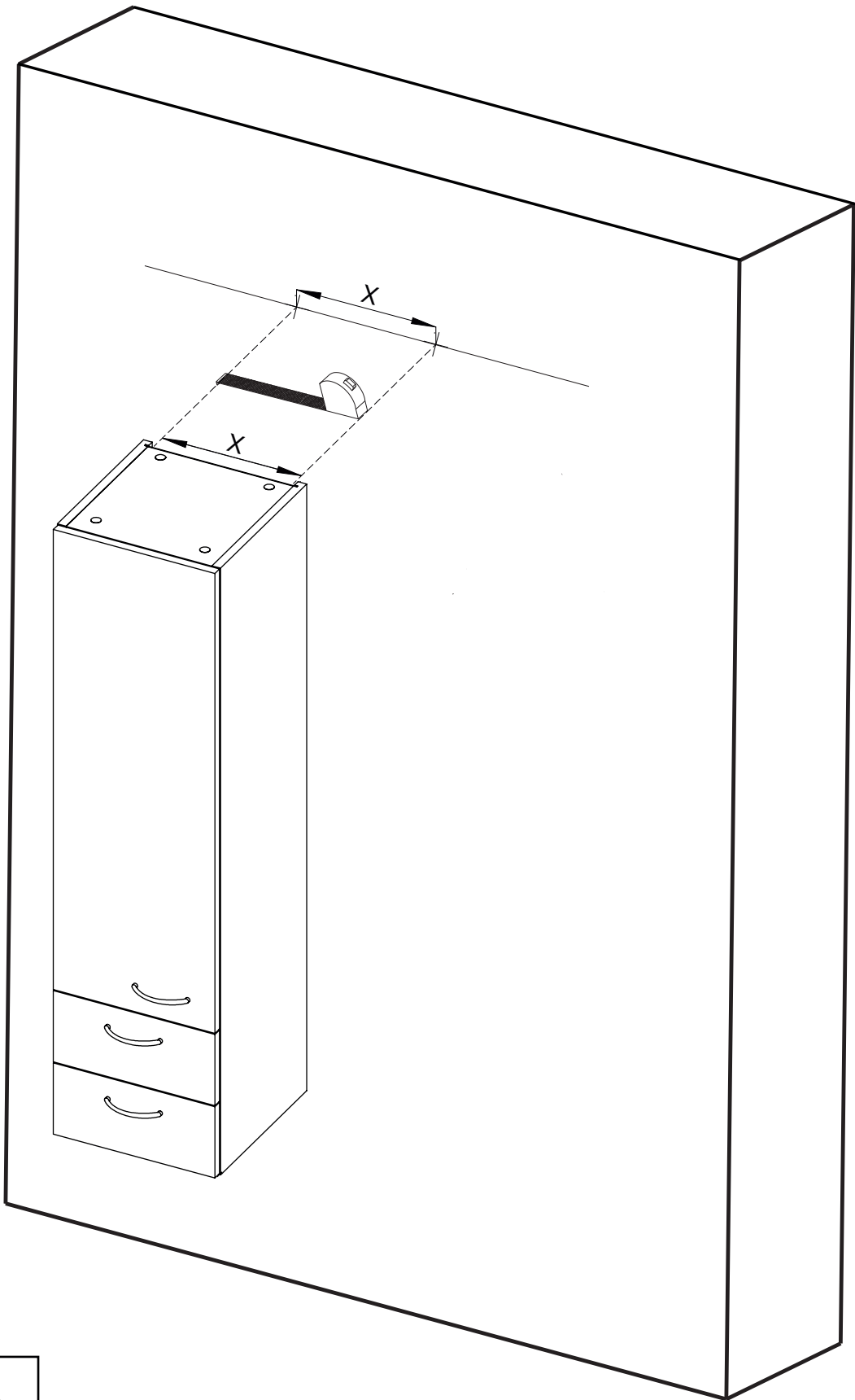
15



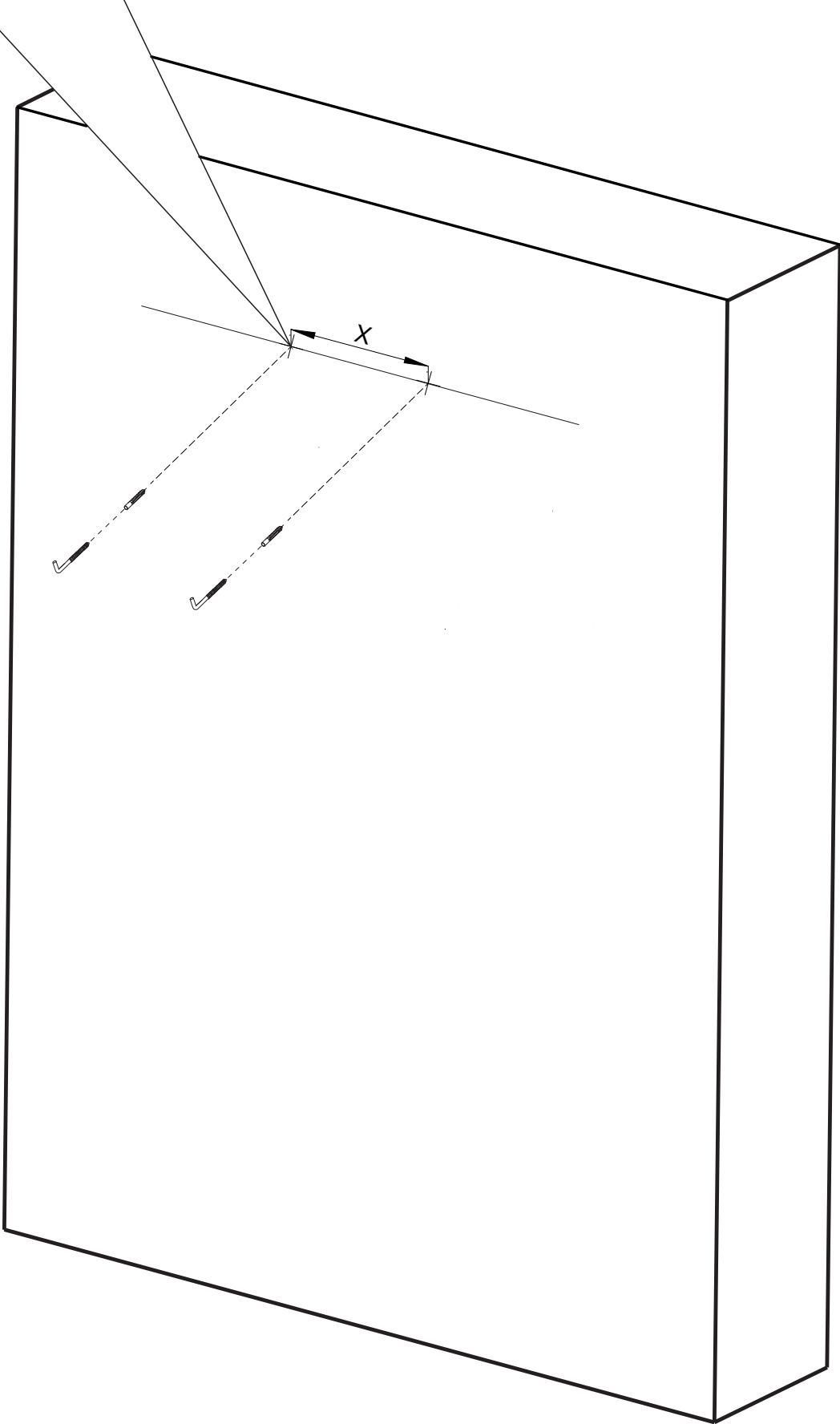
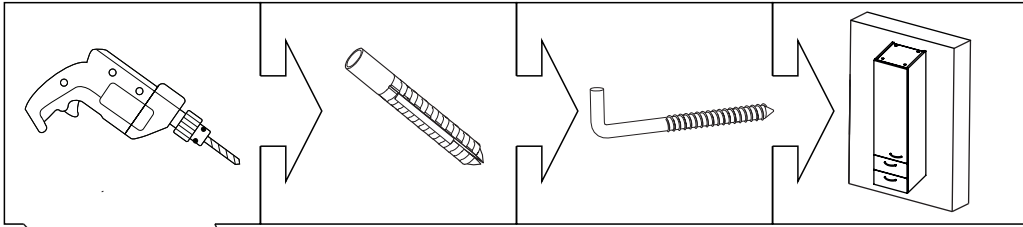
16

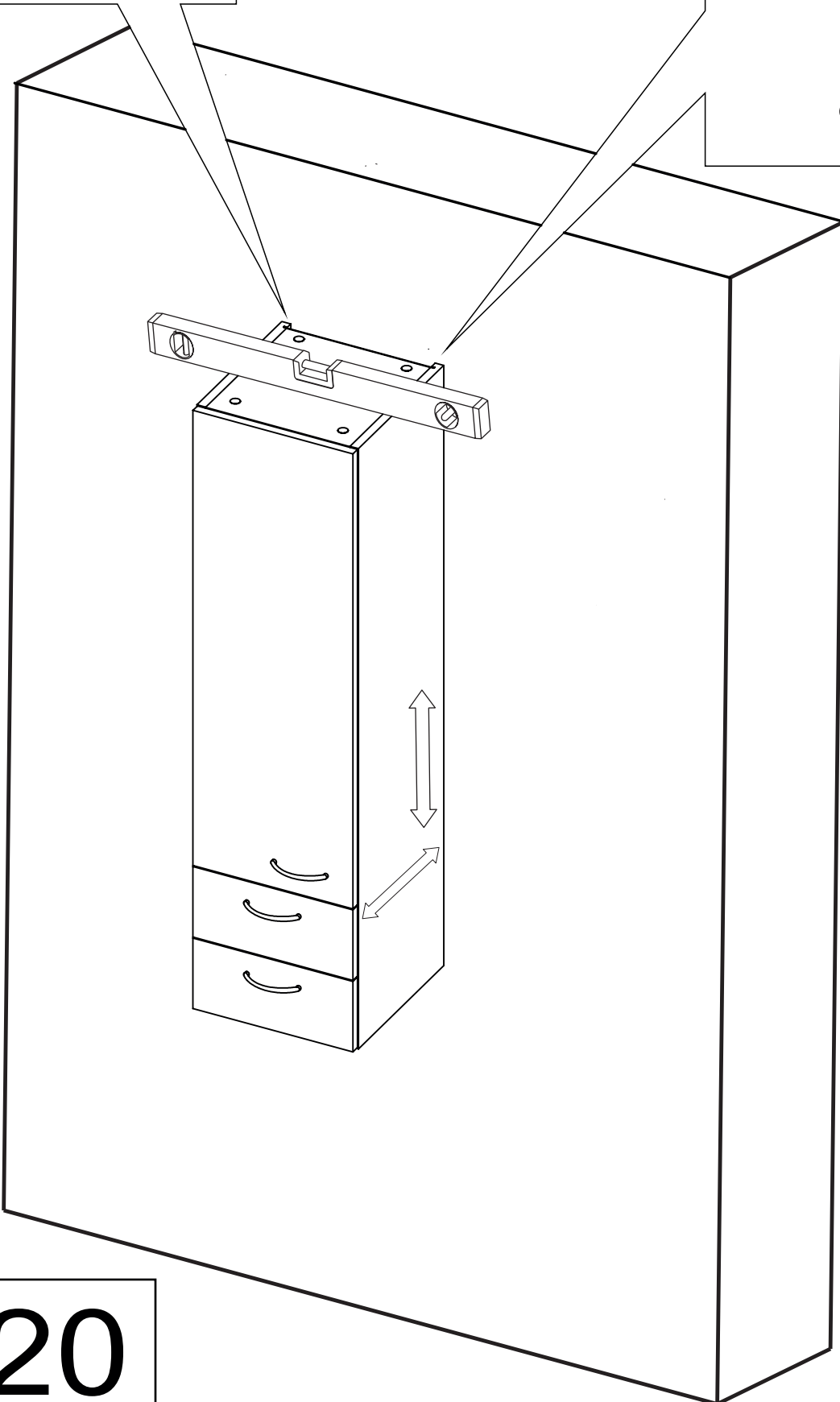
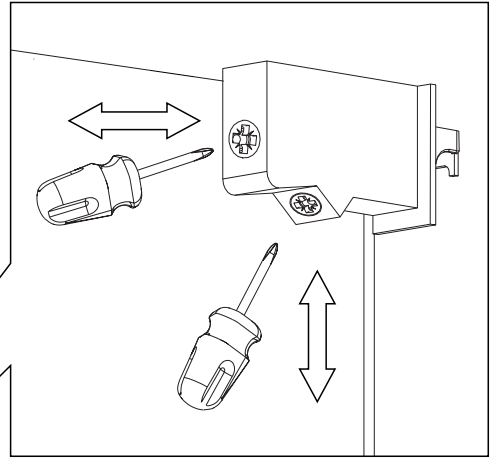
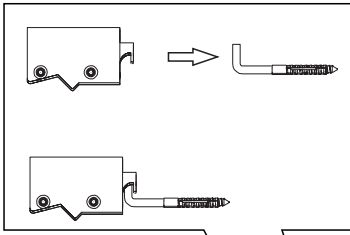






18





20